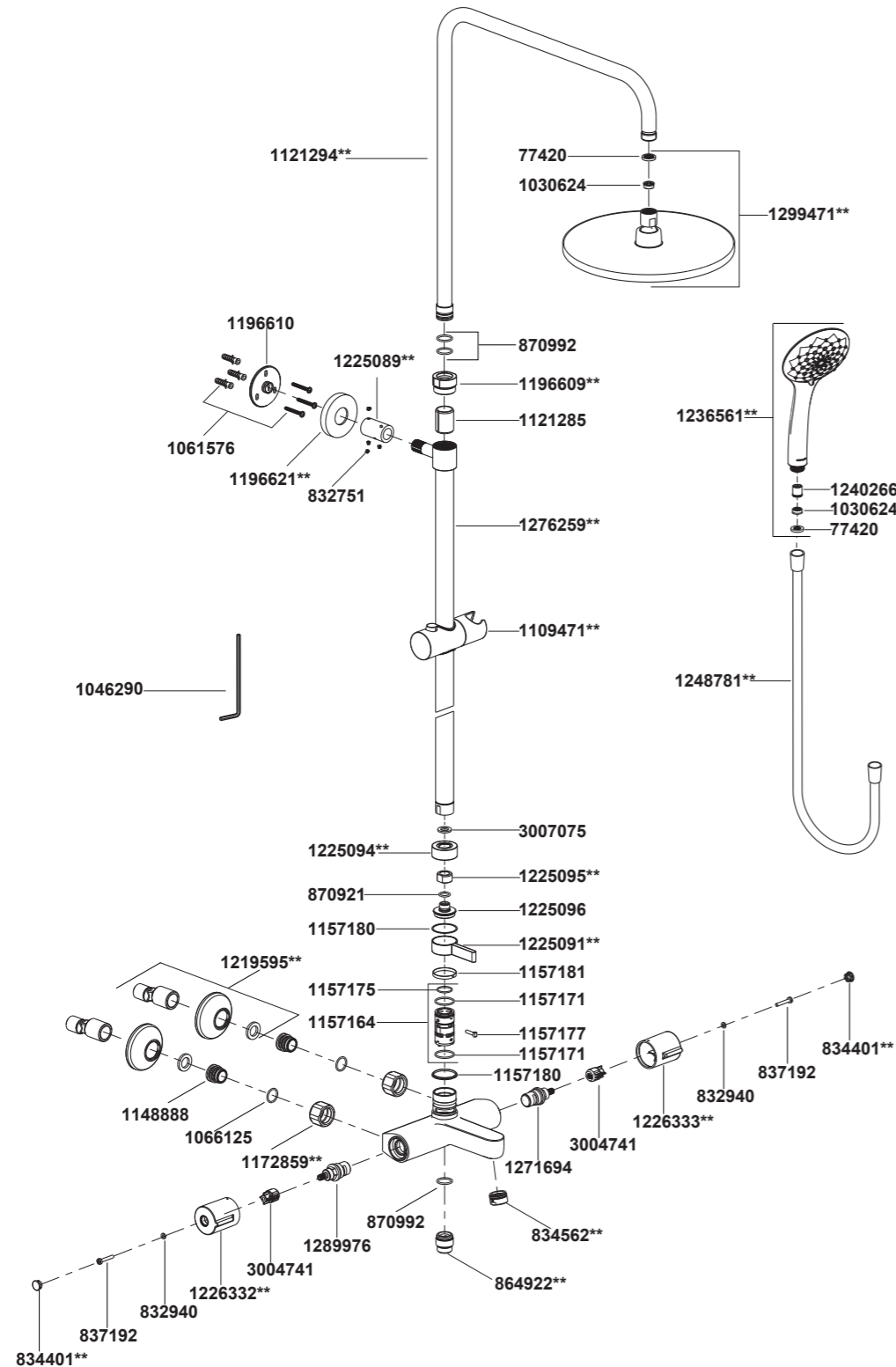


23126T-9 三出水淋浴柱(舒享版)-硬管连接



**订购时请说明颜色编号
**Color code must be specified when ordering

23126T-9 三出水淋浴柱(舒享版)-硬管连接

安装之前

所有的资料是按最新发布的产品资料编写而成。科勒公司保留任何时候不经通知即可改变产品特性、包装或产品可供类型的权利。

说明书包括重要的安装、保养及清洁方面的内容，请把这些资料交给用户阅读。

注意事项：

1. 切断供水管路。
2. 检查供水管有无损坏和漏水。如需要，进行替换和维修。
3. 遵守当地管路安装条例。
4. 花洒最高工作压力：0.5MPa(5bar)。水压超过0.5MPa(5bar)时必须安装减压阀。花洒最高工作温度及环境温度：60°C。请特别注意花洒同花洒连接的臂管须远离浴霸，否则可能损坏花洒及其密封件，甚至对使用者造成伤害。
5. 淋浴器施加的水效标识表明本产品的水效等级等性能符合GB 28378-2019《淋浴器水效限定值及水效等级》的要求，是产品符合性的一种标识。

BEFORE YOU BEGIN

All information is based on the latest product information available at the time of publication. Kohler Co. reserves the right to make changes in product characteristics, packaging, or availability at any time without notice.

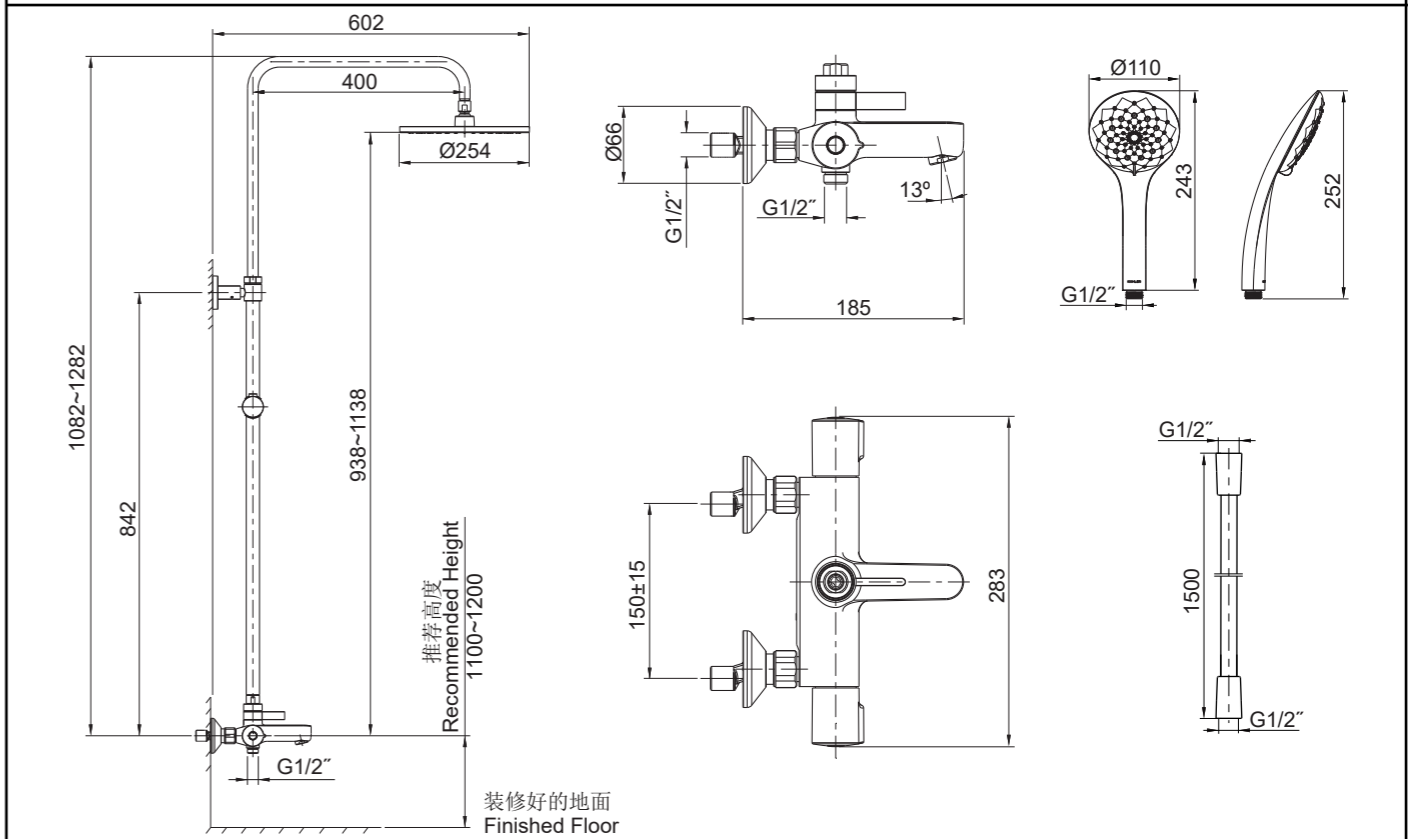
Please leave these instructions for the consumer. They contain important information.

NOTES:

1. Shut off the water supplies to the fitting.
2. Inspect the supply tubing for damage and leakage. Replace and maintain as necessary.
3. Observe local plumbing codes.
4. The highest working pressure for handshower and showerhead is 0.5MPa(5bar). If it exceeds 0.5MPa(5bar), a pressure reducer is needed. The highest water and environment temperature is 60°C. Please keep the handshower, showerhead and shower arm away from heater, or it may become damaged and cause injury to the user.
5. The water efficiency label applied to the shower indicates that the water efficiency grade and other performance of the product meet the requirements of GB 28378-2019 "Minimum Allowable Values of Water Efficiency and Water Efficiency Grades for Showers" which is a marking of product conformity.

安装尺寸

ROUGH-IN DIMENSIONS



安装步骤

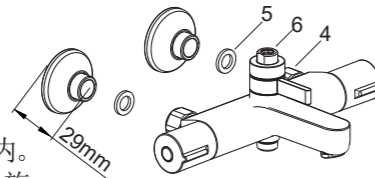
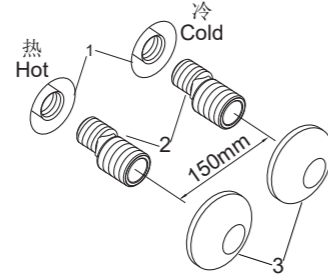
如何安装水龙头

为使安装顺利，G1/2"内螺纹管道配件(1)应已安装好，预留150mm的间距，保持水平并垂直于装修好的墙面。彻底冲洗供水管，以清除管路中的杂质。

在螺纹上缠绕足够的密封胶带或涂合适的密封膏，安装两个接头(2)到冷热供水管上。调节两个接头，使其中心距离为150mm，并保持同一水平。它们凸出墙面的尺寸应该在29mm。

把装饰罩(3)旋入接头，紧贴墙壁。

把密封垫片(5)放入水龙头的螺母(4)内。保持水龙头出水口(6)朝上，把螺母旋到接头上，并拧紧。



INSTALLATION

How to Install the Faucet

To perform installation, installer must provide G1/2" female supply fittings(1), spaced 150mm apart, horizontal and vertical to the finished wall. Flush the water supply pipes thoroughly to remove debris.

Apply enough tape or suitable sealant on threads of offset connectors(2). Install the two offset connectors into the hot and cold supply pipes. Adjust the center-to-center distance between the connectors to 150mm horizontally. They should extend 29mm beyond the finished wall.

Thread the escutcheons(3) onto the connectors until they are against the finished wall.

Put the washers(5) into the supply nuts(4) of the faucet. Keep the faucet outlet(6) upwards, thread and tighten the faucet supply nuts onto the connectors.

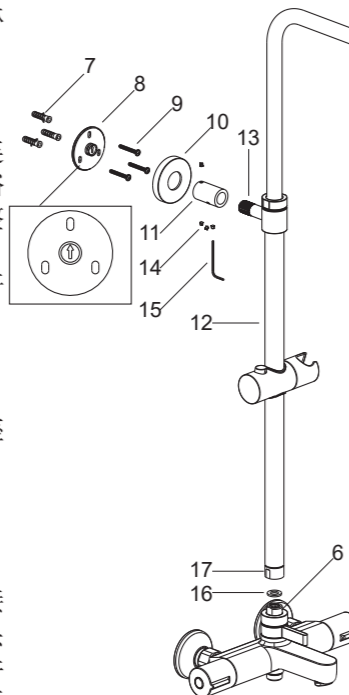
如何安装淋浴柱

试装淋浴柱组件(12)，以确定上底座(8)安装位置。将连接管(11)与底座连接(注意：底座上的箭头朝上)，并用螺钉(14)锁紧。将连接管另一端套在淋浴柱组件接头(13)上。

将垫片(16)放到龙头出水口(6)上。连接龙头出水口与淋浴柱组件。将淋浴柱组件竖直放置，锁紧螺母(17)。调整连接管，使淋浴柱组件平行于墙面。用铅笔标记底座孔位。分别拆下滑杆组件和连接管(注意：切勿弄丢螺钉)。

根据胀塞(7)直径在墙面上标记处打孔。放入胀塞，用自攻螺钉(9)固定底座(注意：底座上箭头朝上)。

确认垫片(16)在龙头出水口上。将连接管和装饰罩(10)套在淋浴柱组件的接头上。将淋浴柱组件安装到龙头上，并锁紧螺母(17)。滑动连接管使其套在底座上，用六角扳手(15)和螺钉锁紧固定。旋紧装饰罩直至接触墙壁。保持弯管出水口朝前，且淋浴柱组件平行于墙面，用螺钉将接头和连接管连接，并用六角扳手锁紧。



How to Install the Column

Rehearse the shower column kit(12) installation for the base(8) mounting location determination. Connect the tube joint(11) and the base(Note: The arrow in the base is upward), tighten them with screws(14). Set the other end of the tube joint on the supporter(13) of shower column.

Put the washer(16) onto faucet outlet(6). Connect the faucet outlet and shower column. Place the column kit upright and parallel to the finished wall. Tighten the nut(17). Mark the hole of base with a pencil. Uninstall the shower column kit and tube joint. (Note: Don't lose the screws.)

Drill holes in the finished wall according to the diameter of the anchors(7) and the position of mounting base. Insert the anchors into the holes. Secure the mounting base by self-tapping screws(9). (Note: The arrow in the base is upward).

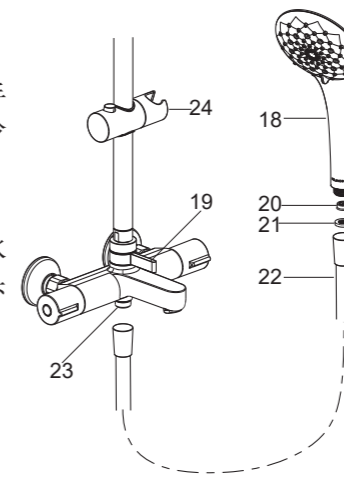
Ensure the washer(16) on faucet outlet. Install the tube joint and escutcheon(10) onto the supporter of shower column. Connect the shower column kit and faucet. Tighten the nut(17). Slide the tube joint onto the base, tighten screws with hex wrench (15). Screw the escutcheon until it against wall. Make sure the outlet of shower column faces the front, and the shower column is parallel to the finished wall. Connect the supporter and tube joint with screw, tighten it by hex wrench.

如何安装手持花洒

安装手持花洒(18)之前，调整切换把手(19)处于手持花洒出水位置，并打开冷热水源冲掉管路中的杂质。

根据需要，将限流器(20)塞入花洒进水口，将滤网垫片(21)放入软管(22)接头内，用软管连接接头(23)和手持花洒。锁紧所有衔接螺母。

将花洒挂在花洒挂架(24)上。



How to Install the Handshower

Before installing the handshower(18), turn the diverter handle(19) for handshower. Flush hot and cold water supplies to remove any debris.

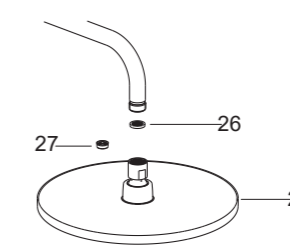
If needed, put the regulator(20) into the handshower. Put the screen washer(21) into the shower hose(22) connector. Connect the connector(23) and handshower with hose. Tighten all the connectors.

Hang the handshower on the shower bracket(24).

如何安装头顶花洒

安装头顶花洒(25)之前调整切换把手(19)处于头顶花洒出水位置，打开水源冲掉管路中的杂质。

取出垫片(26)，根据需要，将限流器(27)放入到头顶花洒，再装回垫片。将头顶花洒旋到弯管组件出水口上，用带状扳手锁紧。



How to Install the Showerhead

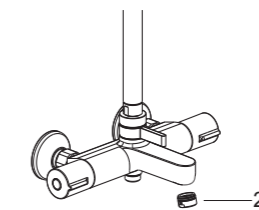
Before installing the showerhead(25), turn the diverter handle(19) for showerhead, run hot and cold water for about one minute to remove any debris.

Take out the washer(26) and install the regulator(27) into the showerhead if needed, reinstall the washer. Tighten the showerhead onto the tube kit outlet with strap wrench.

安装结果检查

检查并确保所有的衔接处都已拧紧，确保手柄在关闭位置。打开排水系统和主要供水源，检查并修理有漏水的接口。

取下起泡器(28)。打开冷热水，让水流约一分钟，以清除杂质。检查渗漏。关闭水龙头，装回起泡器。



INSTALLATION CHECKOUT

Ensure all connections are tight. Ensure the handle is in the off position. Turn on the drain and main water supply, and check for leaks. Repair as needed.

Remove the aerator(28). Run hot and cold water through the faucet for about one minute to remove debris. Check for leaks. Shut off the faucet and reinstall the aerator.

使用说明

顺时针旋转左把手打开热水，逆时针旋转右把手打开冷水。

旋转切换把手至手持花洒标志，手持花洒出水；旋至花洒头标志，花洒头出水；旋至出水口标志，浴缸出水口出水。

OPERATION INSTRUCTIONS

The left handle is for hot water, the right handle is for cold water. Left handle opens with turning clockwise, and right handle opens with turning counter-clockwise.

Turn the diverter handle to the handshower logo, water will flow from handshower. Turn it to the showerhead logo, the showerhead will work. Turn it to the spout logo, water will flow the spout.

清洗说明

适用于所有加工处理过的表面：以中性肥皂水清洗镀层表面，再以干净软布彻底擦干整个表面，许多清洁剂，比如氨水、去污粉及洁厕灵等，会对电镀表面造成伤害，切忌使用。

有磨损性的清洁用具或清洁剂也不可适用于科勒牌的水龙头及其配件上。

CLEANING INSTRUCTIONS

All Finishes: Clean the finish with mild soap and warm water. Wipe entire surface completely dry with clean soft cloth. Many cleaners may contain chemicals, such as ammonia, chlorine, toilet cleaner etc. which could adversely affect the finish and are not recommended for cleaning.

Do not use abrasive cleaners or solvents on Kohler faucets and fittings.